


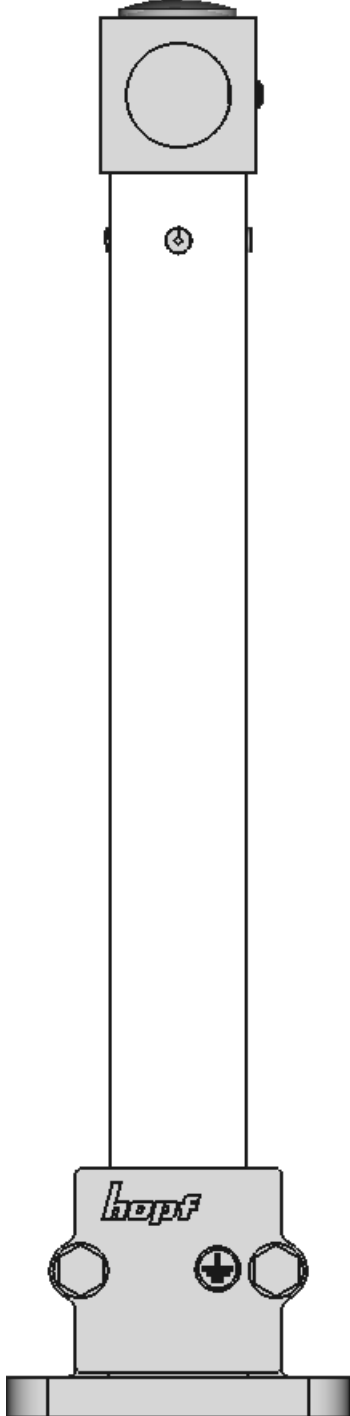
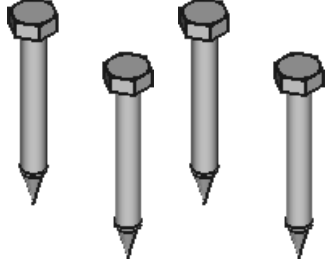

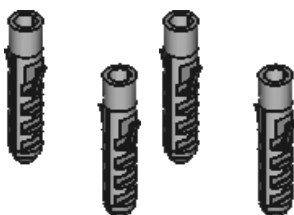
Antenna Mounting Kit

FG4490M00

Quick Installation Guide

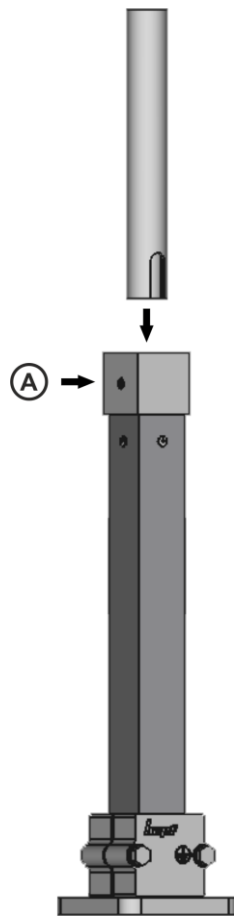


Component Overview

<p>(1) 1x</p>  <p style="text-align: center;">210mm (8.27 in) aluminium tube</p>	<p>(2) 1x</p>  <p style="text-align: center;">wall bracket</p>	<p>(3) 4x</p>  <p style="text-align: center;">screw 8x50mm</p>
		<p>(4) 4x</p>  <p style="text-align: center;">washer M8</p>
		<p>(5) 4x</p>  <p style="text-align: center;">plastic dowel 10x50mm</p>

ATTENTION: The installation should only be executed by qualified staff or employees who have received specific instruction.

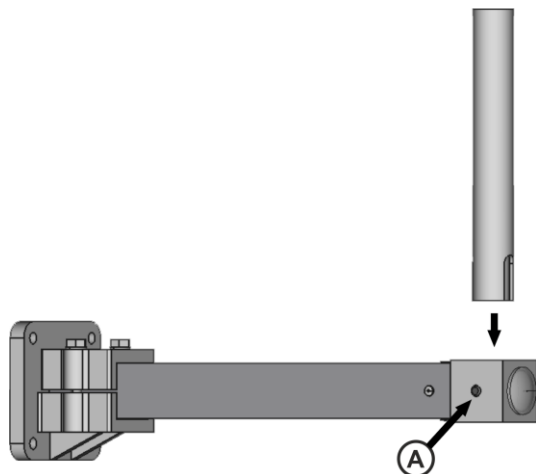
Mounting



ASSEMBLY FOR FLAT ROOF MOUNTING

Mount the aluminium tube (1) from above into the **standing** wall bracket (2)

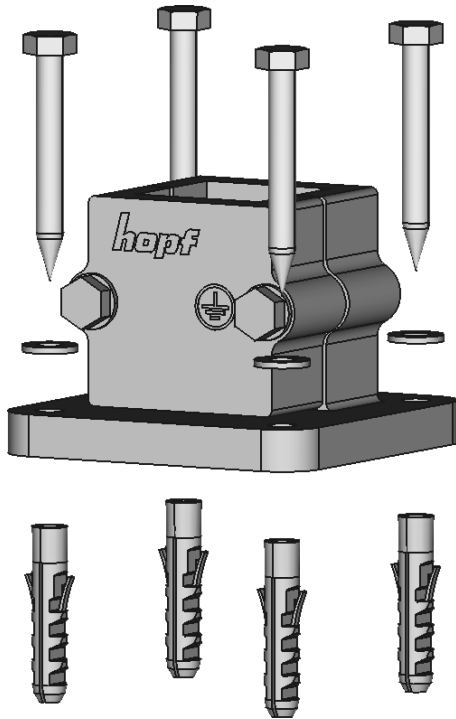
Fasten the tube with the Allen screw (A)



ASSEMBLY FOR WALL MOUNTING

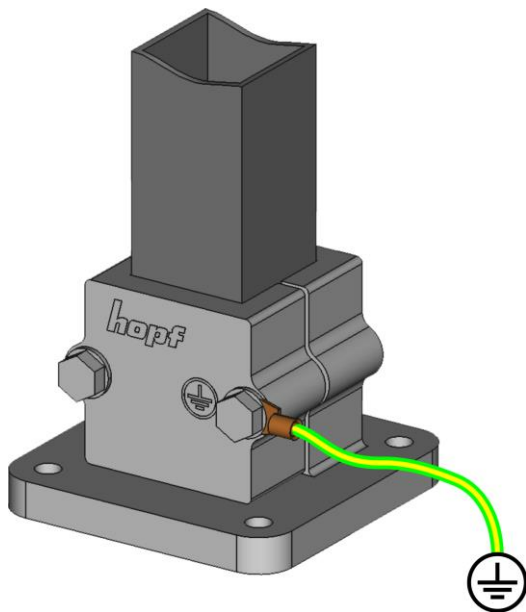
Mount the aluminium tube (1) from above into the **lying** wall bracket (2)

Fasten the tube with the Allen screw (A)



FIXING THE BRACKET

Screw the bracket to the wall or to the roof using the enclosed mounting material (3), (4) and (5)



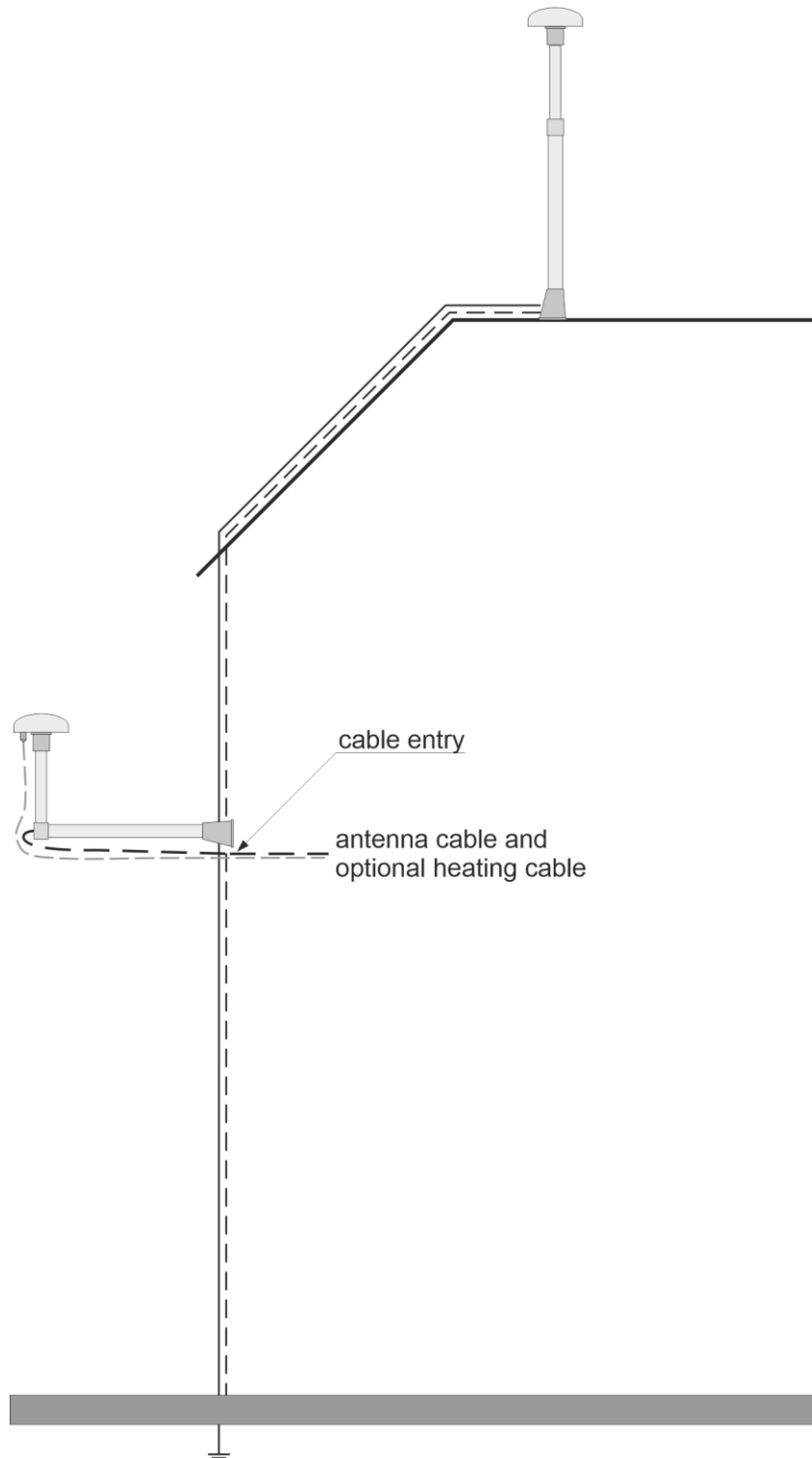
GROUNDING

All the grounding connectors of the installation must be interconnected and connected to the equipotential bonding bar

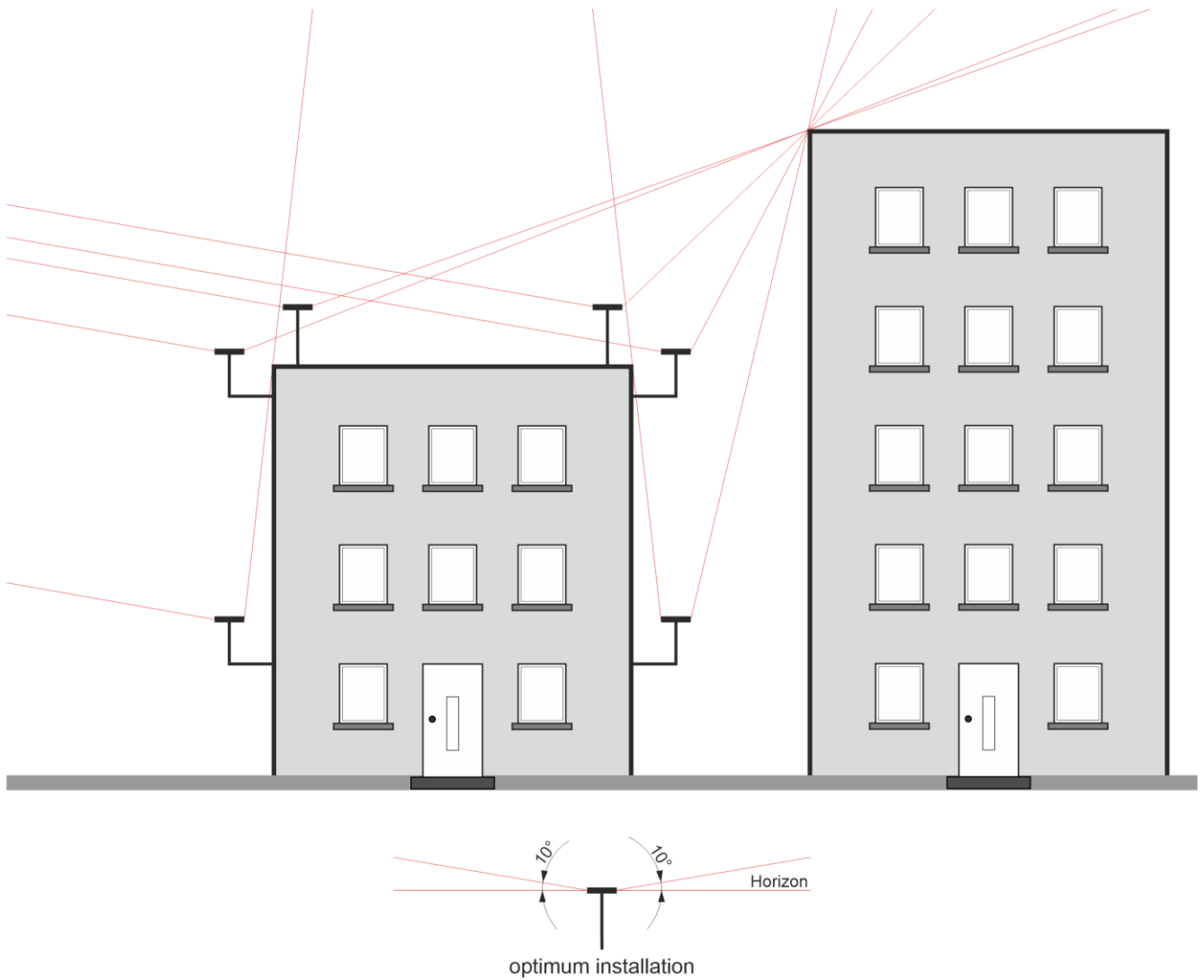
10mm² (0.0155 in²)
for max. distance 10m (32.8 ft)

4mm² (0.0062 in²)
for max. distance 2,5m (8.2 ft)

Method of Mounting for Outdoor Antennas



Selection of the most suitable installation site



Drilling Sketch

